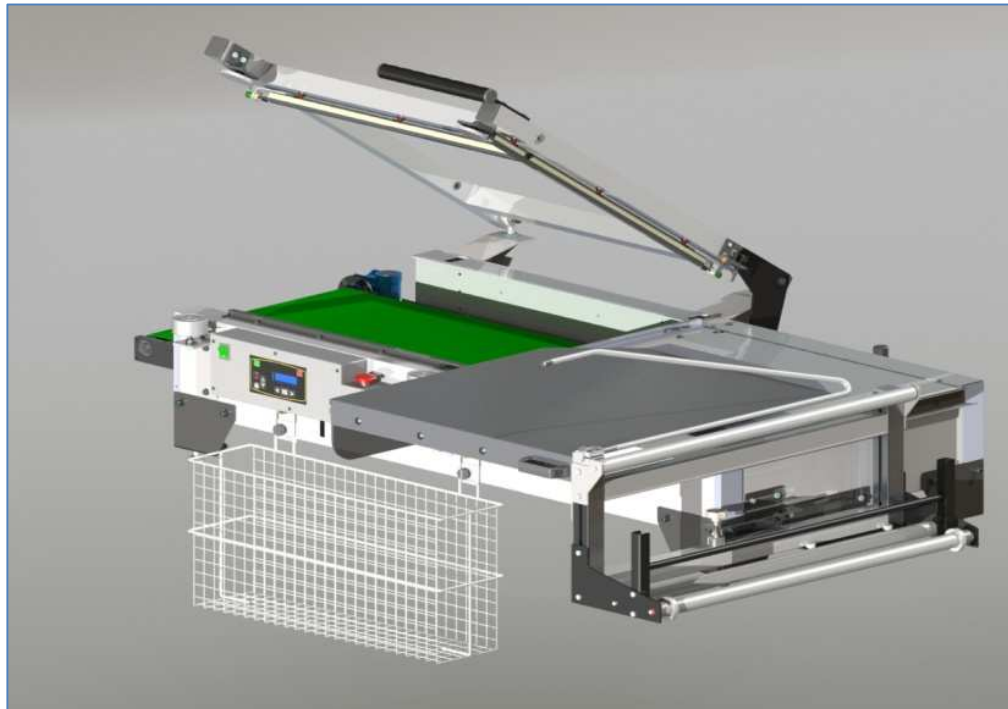




semi-automatique L Sealer ALIZE 5060 SA



<http://www.o-r-a.eu>

4 sided sealed sachet from a
lengthwise folded film.

maximum sealing frame 500 x 600 mm.

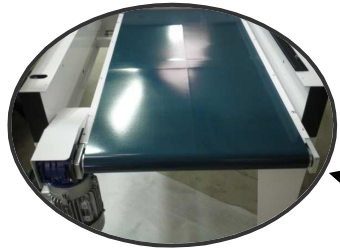
Pneumatic washer

Bi-manual control

Motorized conveyoyr.



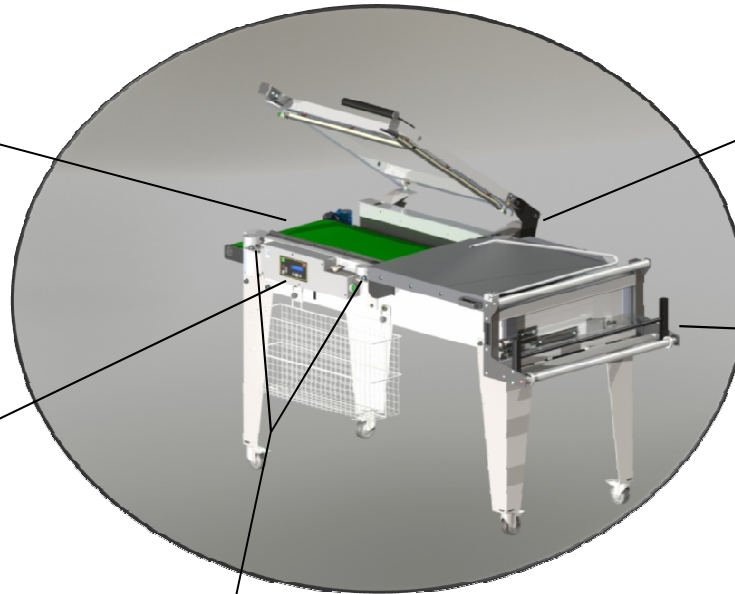
semi-automatique L Sealer ALIZE 5060 SA



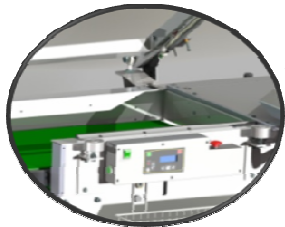
Motorized conveyor
Adjustable length movement of the conveyor



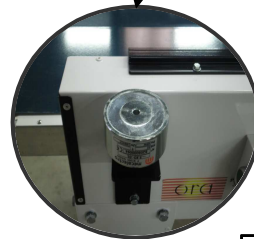
Pneumatic Washer .



Format size adapted to your needs
Adjustment of the reel support
and loding frame .



Semi automatic closure via a bi manual command .



Automatic magnetic
locking.

Microprocessor control of electrical weld system
helps you to adapt to the required production
rate and enable you to seal all types I (PP, PVC,
LDPE) films.

Welding and cooling time via flexible keyboard

General Features:
 Weight : 110 kg
 size : 1750 X 910 X 1650 mm
 Consumption : 830 watts
 Air supply : 6 bars
 Alimentation : 230 V - 50 Hz mono + terre
 maximum width of the film 650mm
 Maximum weight of the reel of film 15 kg
 CE marked .

DESIGNER MANUFACTURER

ora

Package
Close
Seal

01600 TREVOUX - FRANCE
 www.o-r-a.eu Tél +33 (0)4 74 00 59 54

CONCEPTEUR
CONSTRUCTEUR

ora